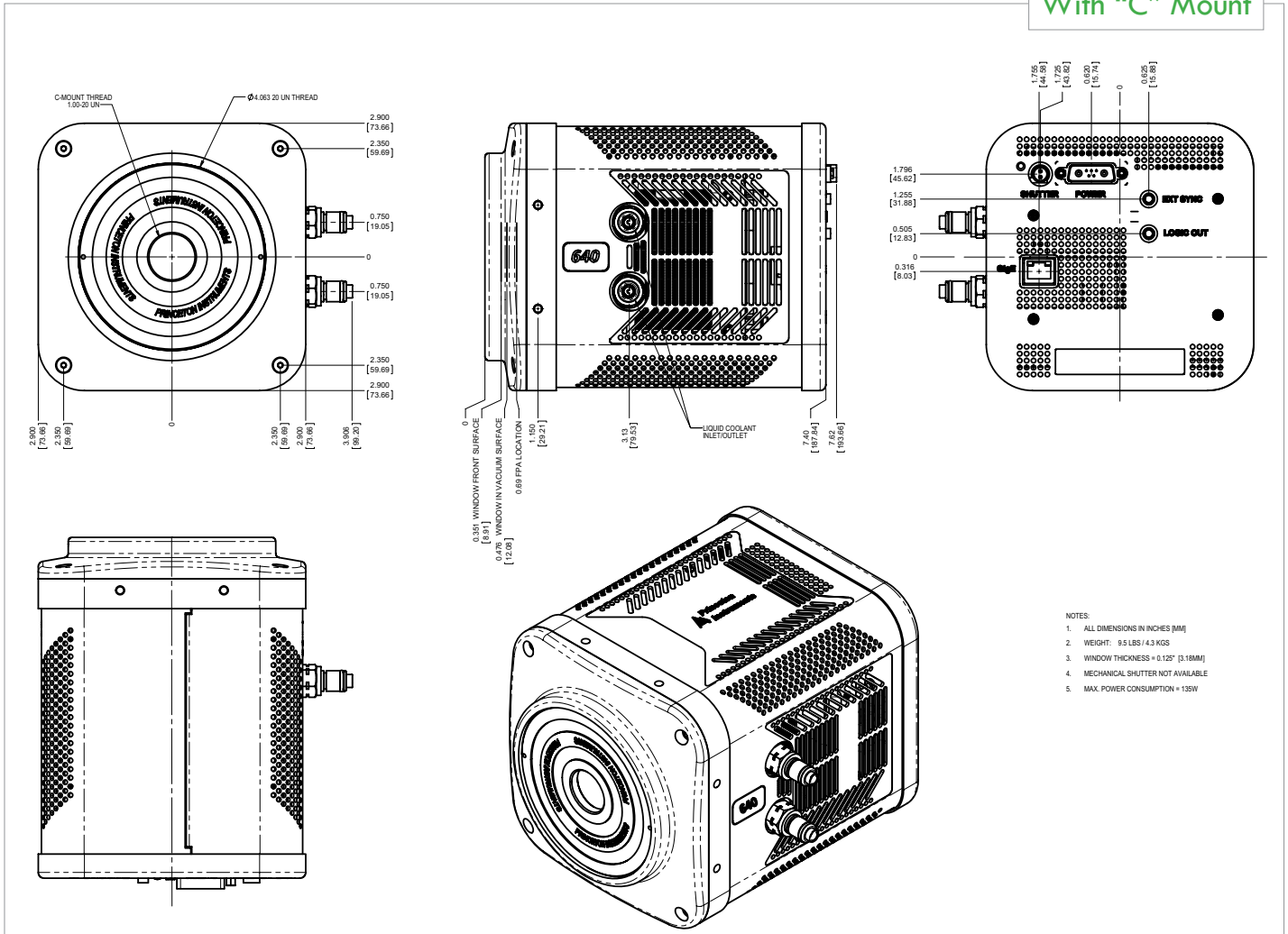


NIRvana Drawing

With "C" Mount

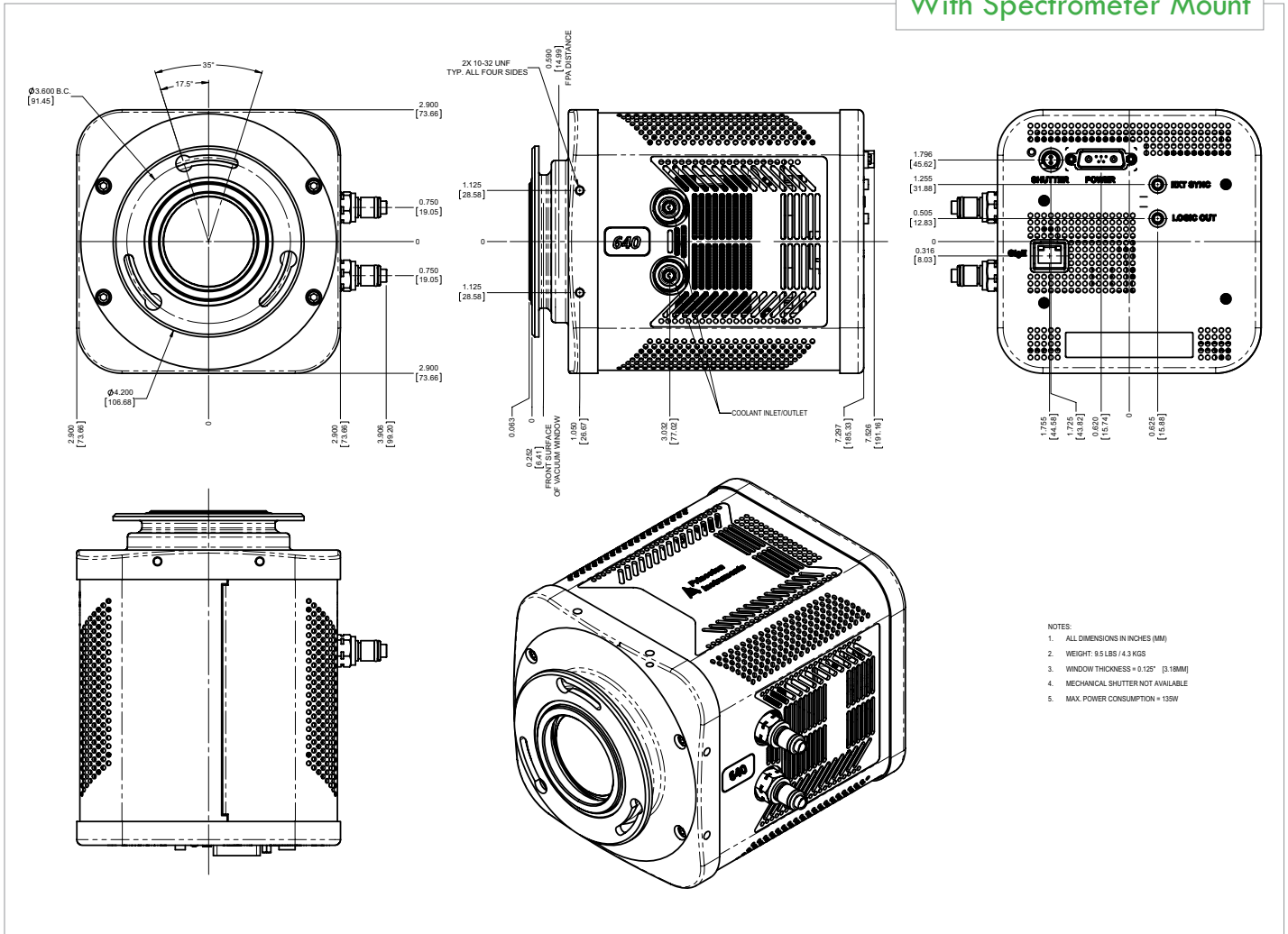


- NOTES:
1. ALL DIMENSIONS IN INCHES MM
 2. WEIGHT: 9.5 LBS / 4.3 KGS
 3. WINDOW THICKNESS = 0.125" (3.18MM)
 4. MECHANICAL SHUTTER NOT AVAILABLE
 5. MAX. POWER CONSUMPTION = 135W

Spectrometer adapter is available upon request.

NIRvana Drawing

With Spectrometer Mount



C-mount adapter is available upon request.